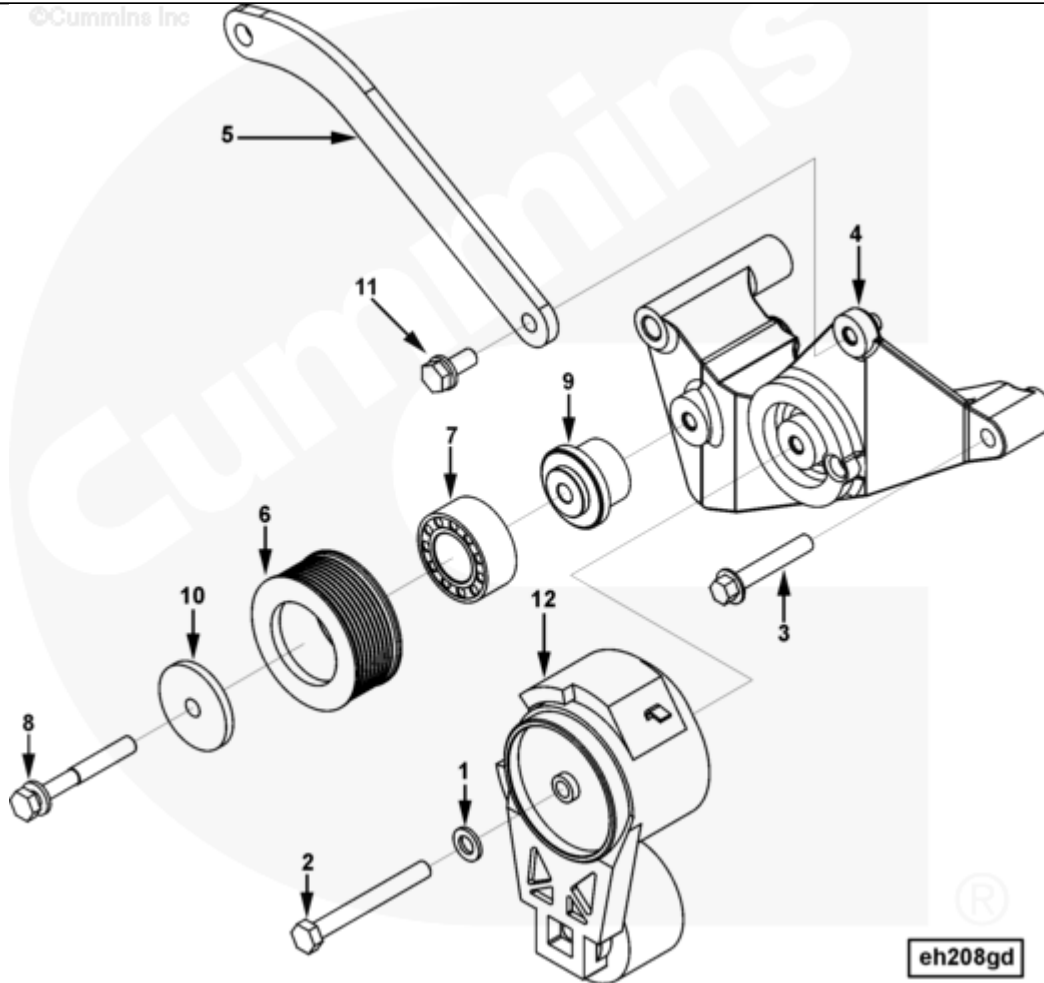




## Parts Catalog - Option Detail

Electronic Parts Catalog - Option Detail				
Option	Group	Graphic	Film Card	Date
EH2165-07	13.02.3	eh208gd	II	20-AUG-12
<b>Engines</b>	ISM CM570, ISM CM570/870, ISM CM875, ISM CM876, ISM CM876 E, ISM11 CM876 M103, ISM11 CM876 SN, M11 CELECT, M11 CELECT PLUS, M11 MECHANICAL, QSM11 CM570, QSM11 CM876			



SMALL | MEDIUM | LARGE

Cart	Ref No	Part Number	Part Description	Required	Remarks
View My Cart					
		<a href="#">EH2165-07</a>	Alternator Mounting		
					Alternator Mounting
					Alternator Quantity: One
					Manufacturer/Model:

					Delco Remy or Leece Neville
					Mtg. Location: Right Side
					Serpentine Alternator/Fan
					Drive: Yes
					Drive Location: Crankshaft
					Alt. Pulley Diameter:
					76.20mm (3 in.)
					Alt. Pulley Groove: Poly V
					8 Rib "K"
					Alt. Pulley Groove Location:
					140.0mm (5.51 in.)
					Belt Tensioner: Automatic
					Required Drive Pulley Dia:
					190.00mm (7.48 in.)
					Bracket Attachment Method: 4
					Inch Spool
					Horizontal Attachment Point:
					330mm (12.99 in.)
					Vertical Attachment Point:
					223mm (8.78 in.)
					Reference Point From FFOB:
					102mm (4.02 in.)
					Alternator Pulley Supplied:
					Cummins
					Alternator Mtg Brkt Supplied:
					On Engine
					Belt Tensioning Mechanism
					Supplied: On Engine
					Alternator Drive Speed: 2.49

					EH Alt Pulley Structure
					Logic: In EH Dependent
					Option
					Mounting Hardware Supplied:
					Cummins
<input type="checkbox"/>	1	<a href="#">3009330</a>	Plain Washer	2	M10.
<input type="checkbox"/>	2	<a href="#">3081348</a>	Hexagon Head Cap Screw	2	M10 x 1.50 x 90.
<input type="checkbox"/>	3	<a href="#">3821847</a>	Captive Washer Cap Screw	2	M10 X 1.50 X 60.
<input type="checkbox"/>	4	<a href="#">3104213</a>	Alternator Support	1	
<input type="checkbox"/>	5	<a href="#">3400878</a>	Alternator Brace	1	
<input type="checkbox"/>		<a href="#">3400884</a>	Idler Pulley	1	
<input type="checkbox"/>	6	<a href="#">3400883</a>	Idler Pulley	1	
<input type="checkbox"/>	7	<a href="#">3401202</a>	Ball Bearing	1	
<input type="checkbox"/>	8	<a href="#">3820710</a>	Captive Washer Cap Screw	1	M10 X 1.50 X 80.
<input type="checkbox"/>	9	<a href="#">4060100</a>	Idler Shaft	1	
<input type="checkbox"/>	10	<a href="#">4060101</a>	Idler Pulley Cover	1	
<input type="checkbox"/>	11	<a href="#">3818060</a>	Captive Washer Cap Screw	1	M10 X 1.50 X 25.
<input type="checkbox"/>	12	<a href="#">4299053</a>	Belt Tensioner	1	